

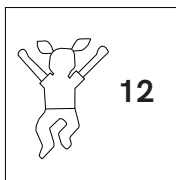
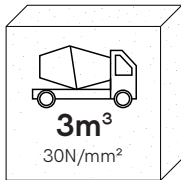
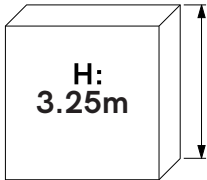
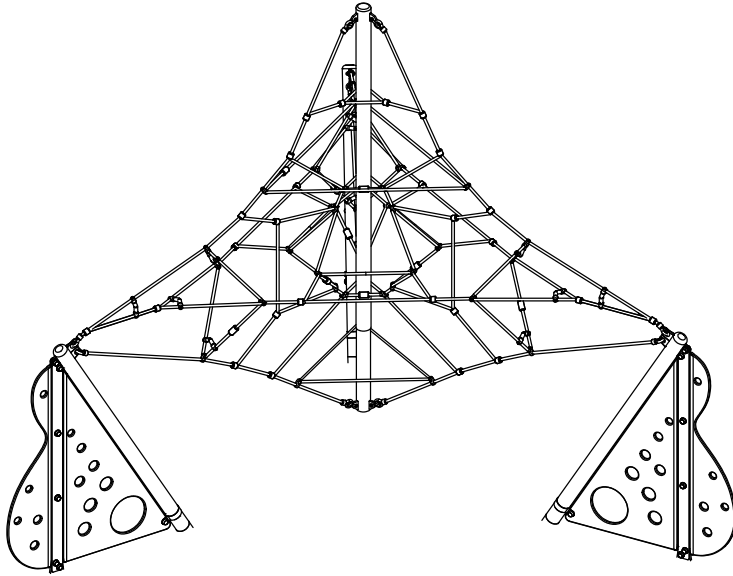


# LEVITATOR 3

EN1176-1:2017  
EN1176-11:2014

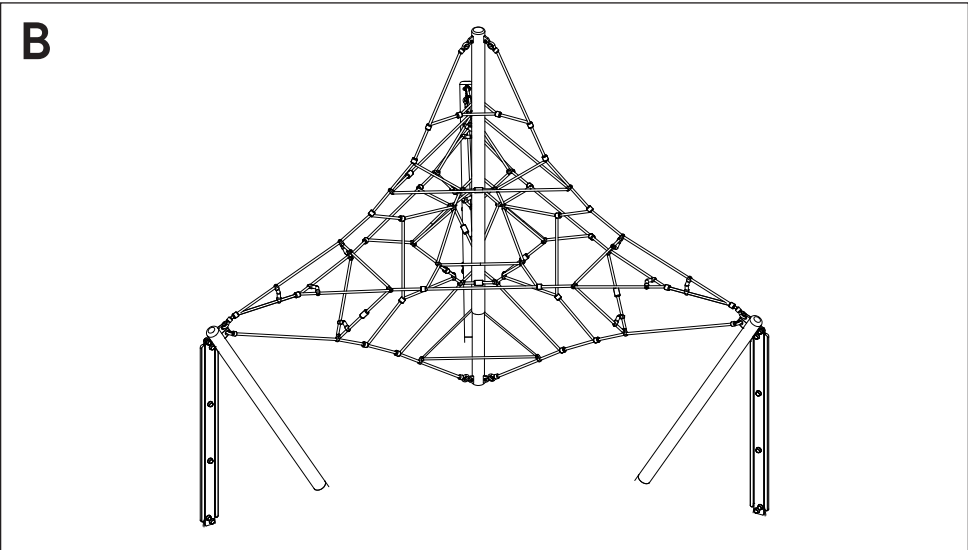
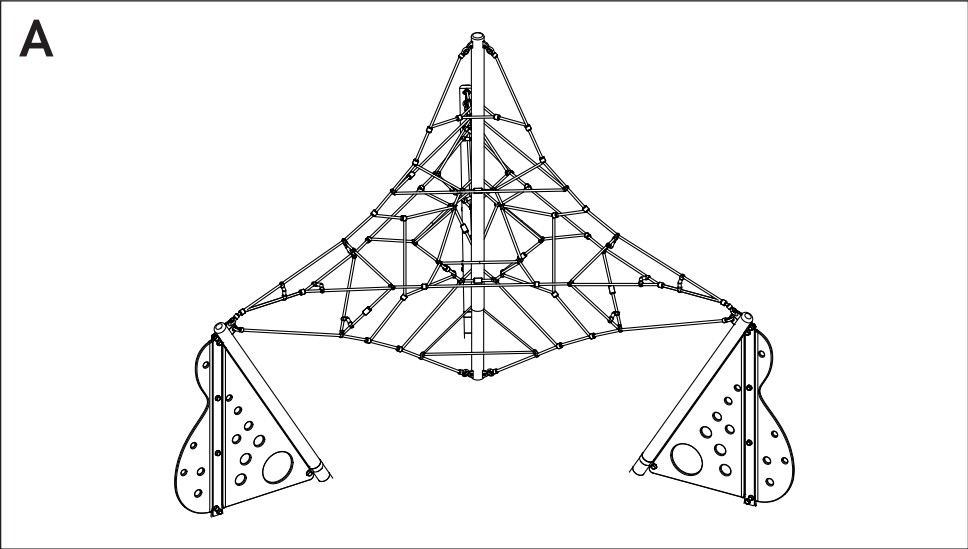


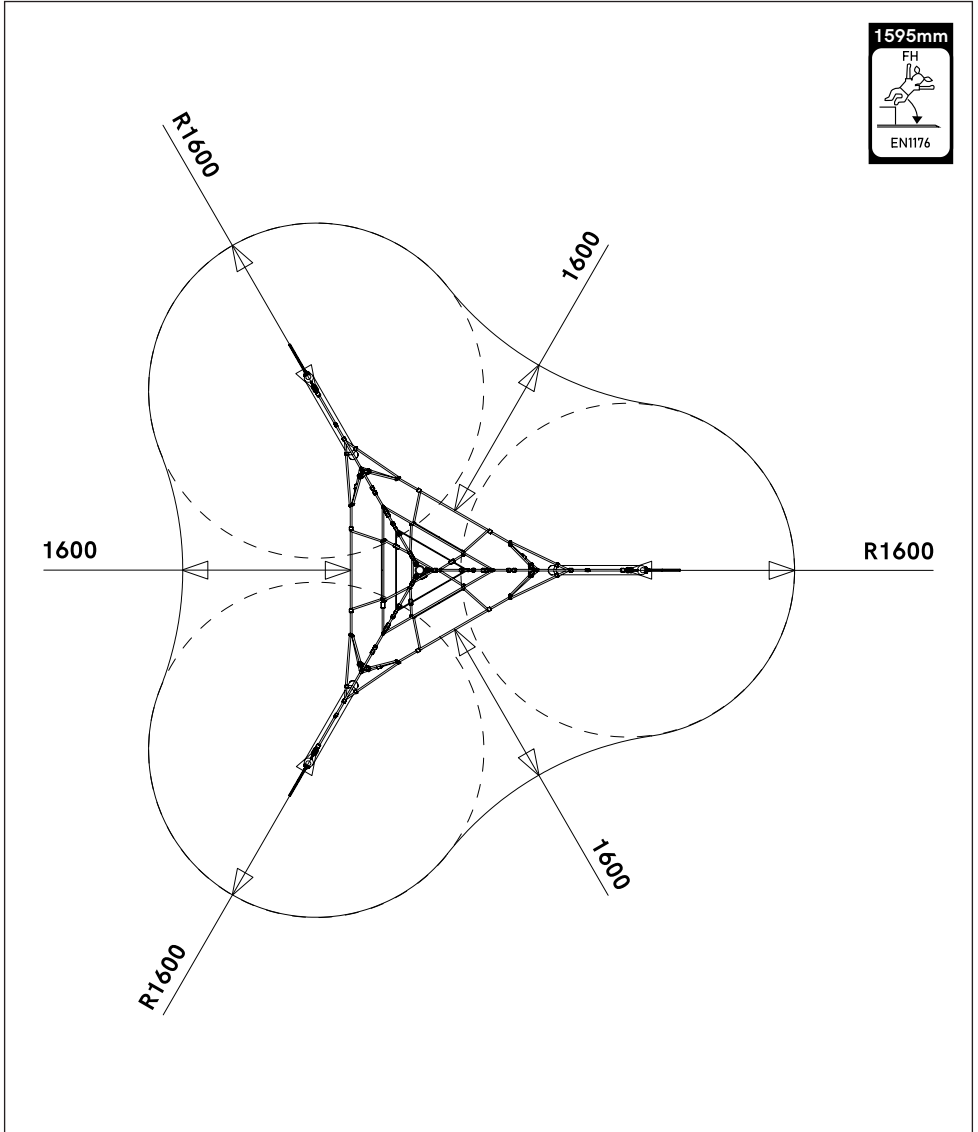
3+



3-4	
5-6	
5-14	
15	

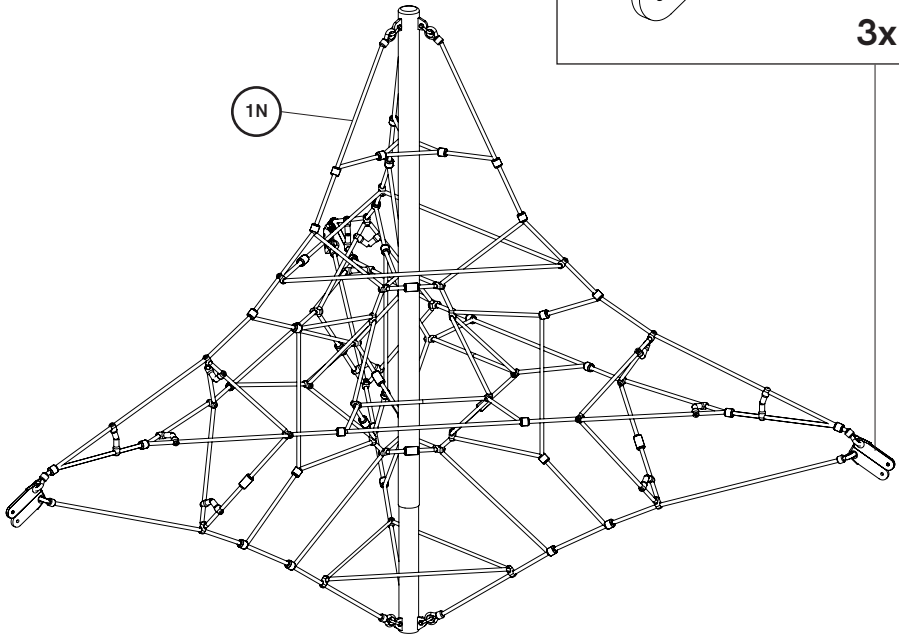
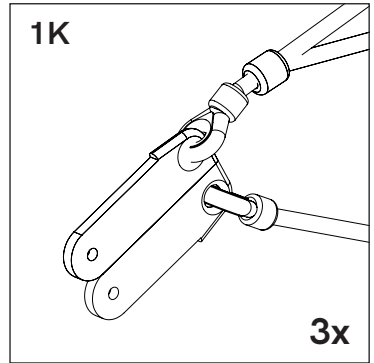











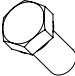



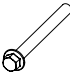




1 - CENTRAL MAST WITH NET & KEYS ATTACHED

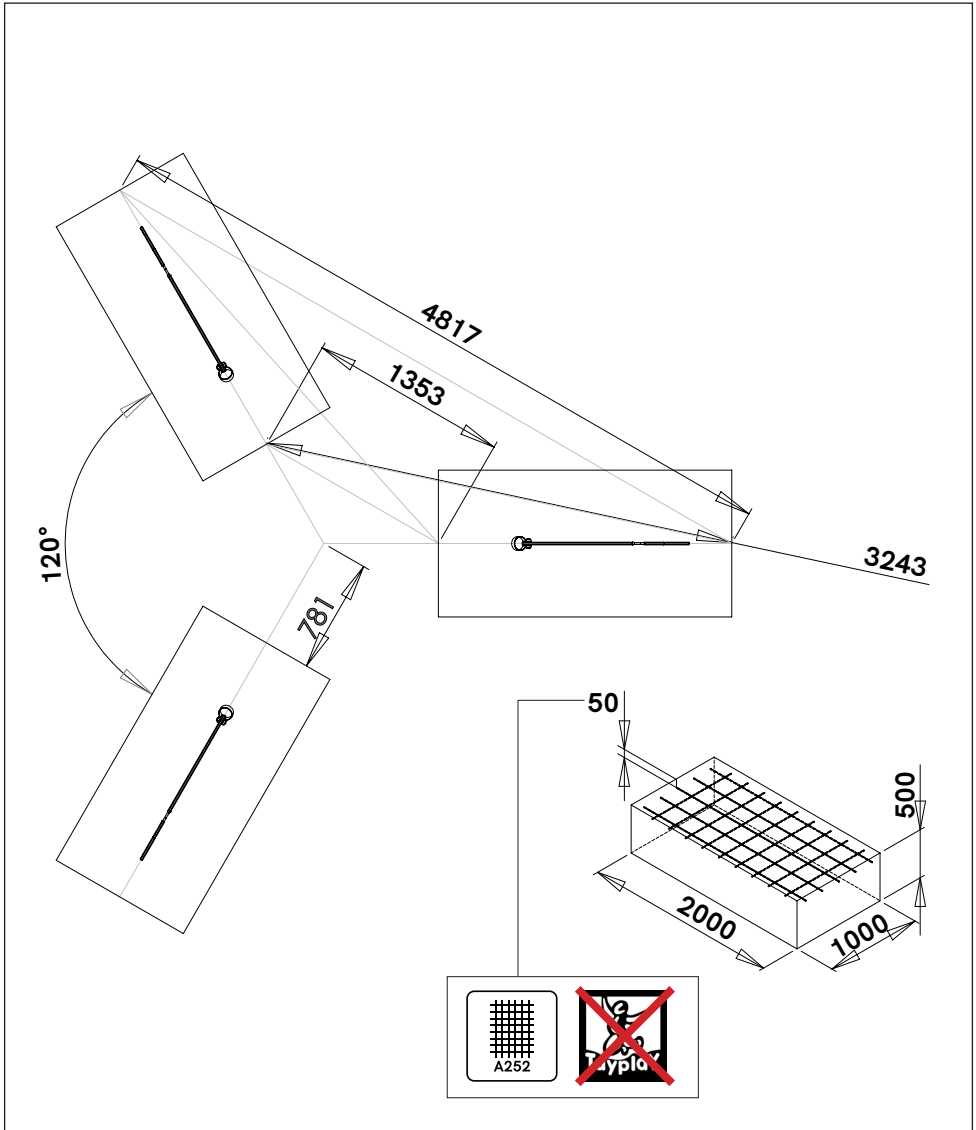
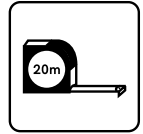
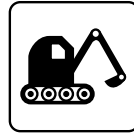
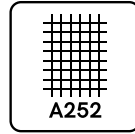




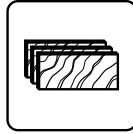
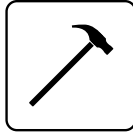
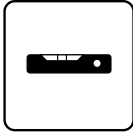
#				
2.1		x3	LEG FOOT	
2.2		x3	LEG	
2.3		x3	TIE	
3.1		x3	INFILL PANEL	<b>A</b>
3.2		x3	LEG BRACKET	<b>A</b>
4.0		x3	BASIC PANEL	<b>B</b>
5.1		x3	KEY PEG 6x20	
5.2		x21(A) x18(B)	TIE BOLT M12x35	
5.3		x21(A) x36(B)	NUT	
5.4		x42(A) x36(B)	BOLT WASHER	
5.5		x42(A) x36(B)	BOLT COVER	
5.6		x12	HILTI HUS-HR 10x130	



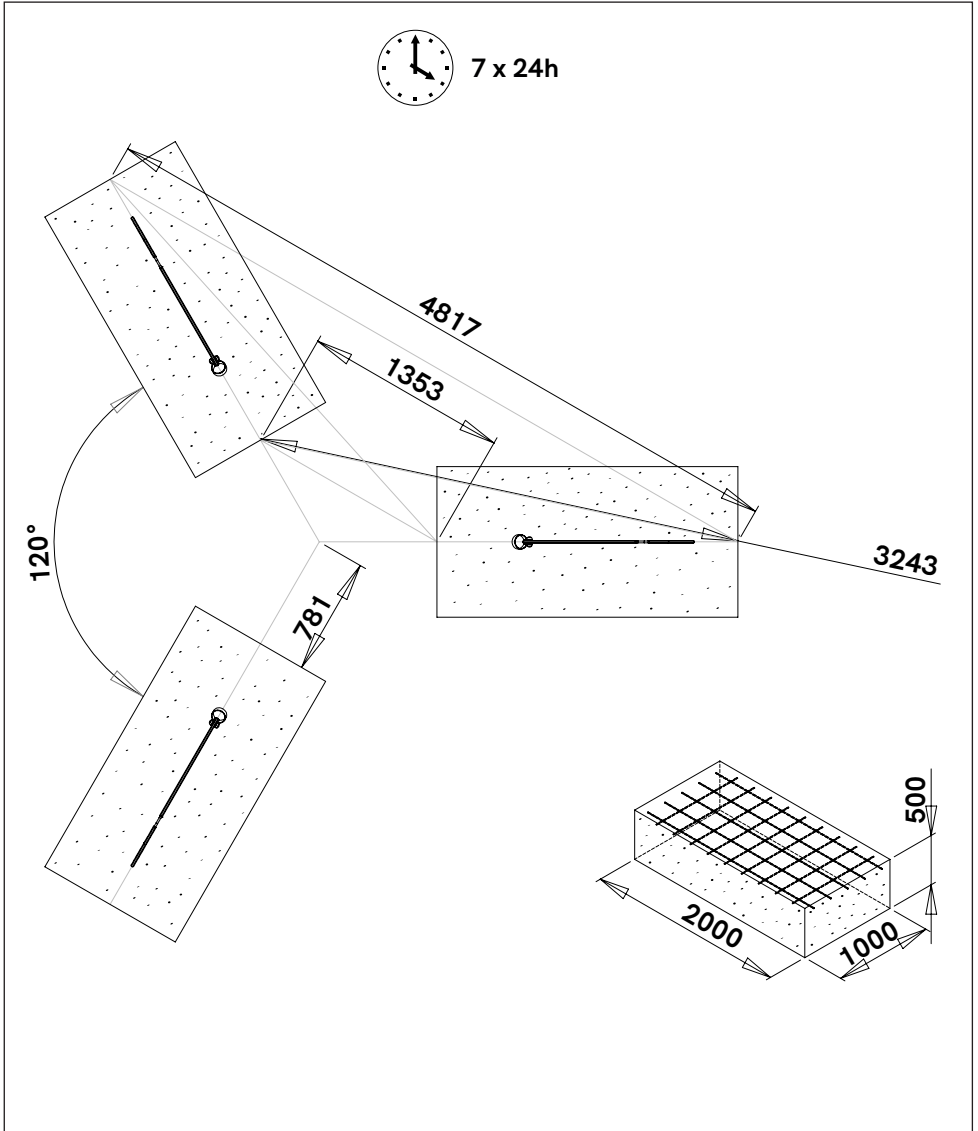
1

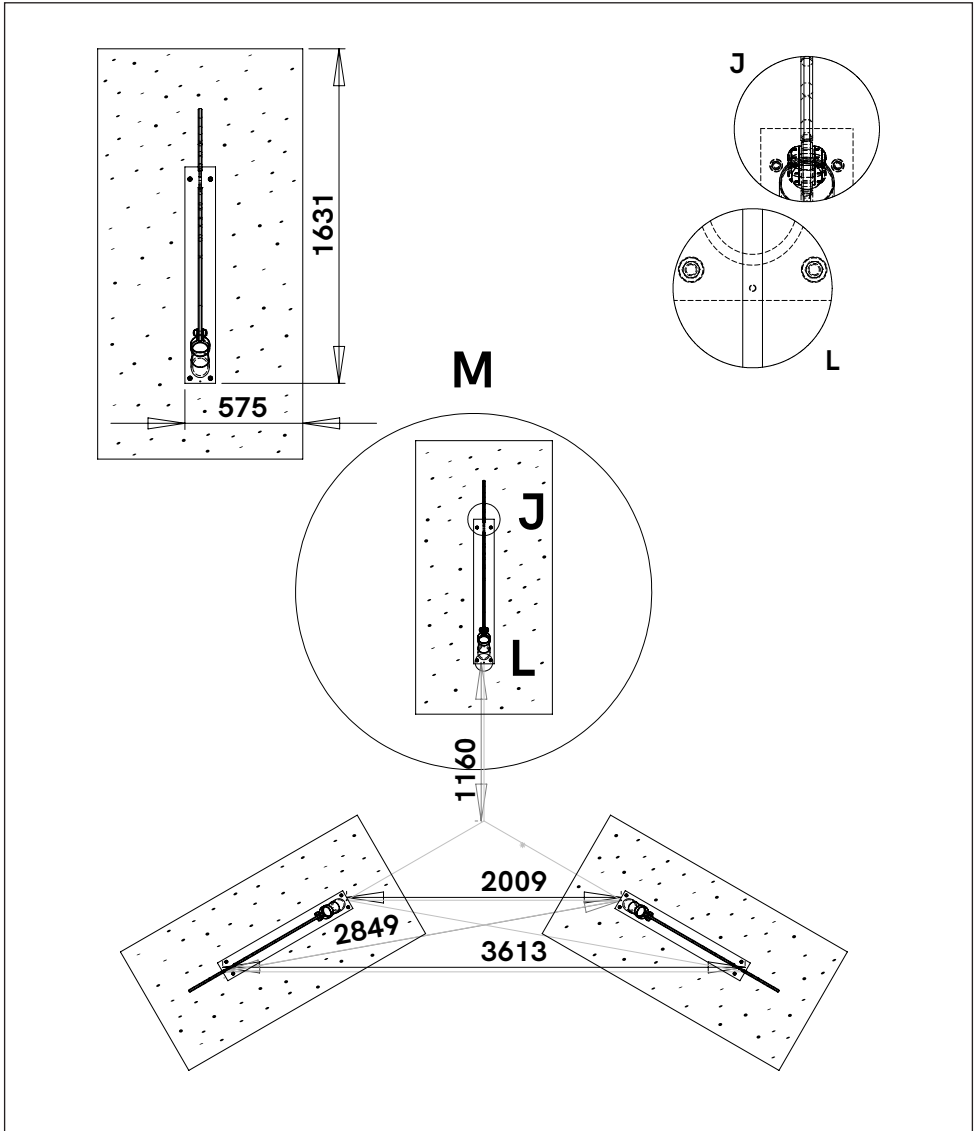
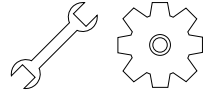


2

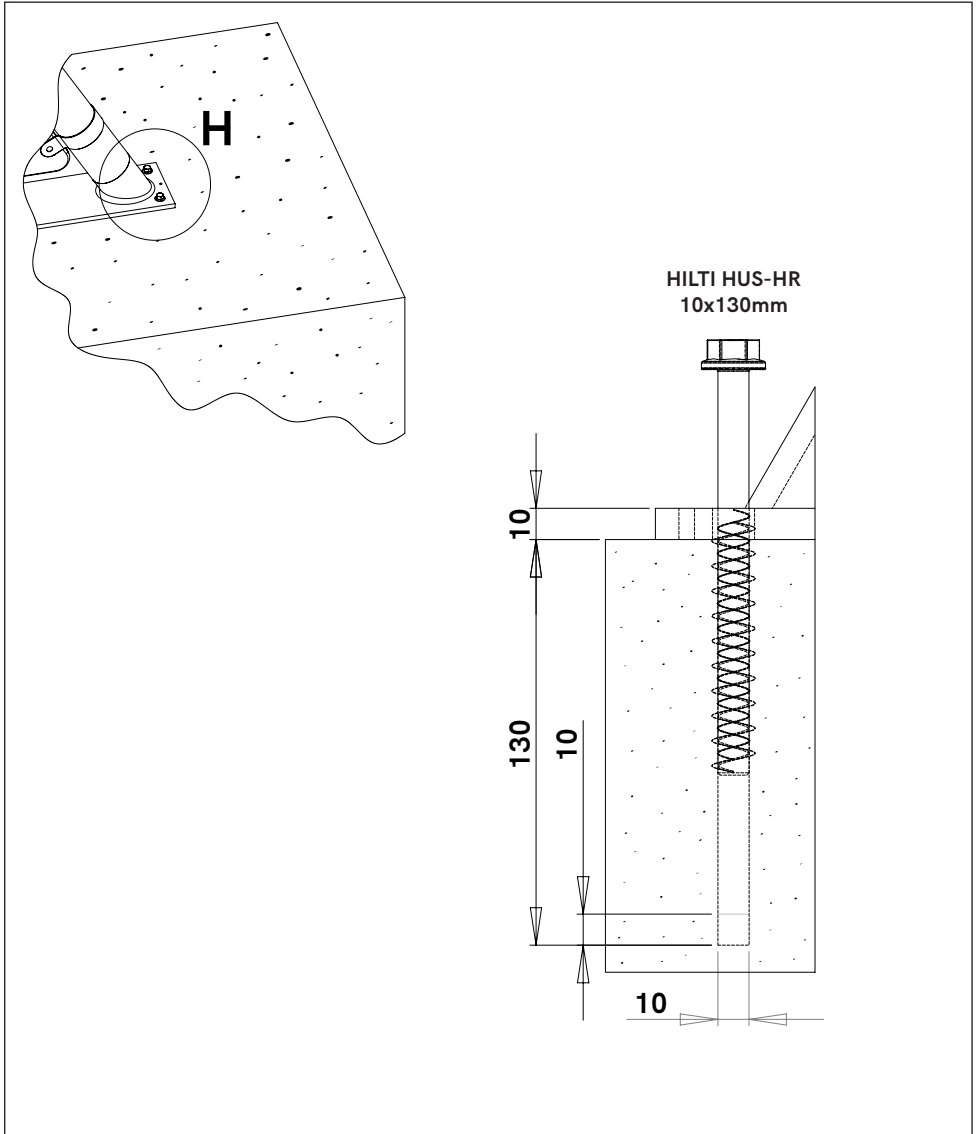
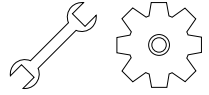


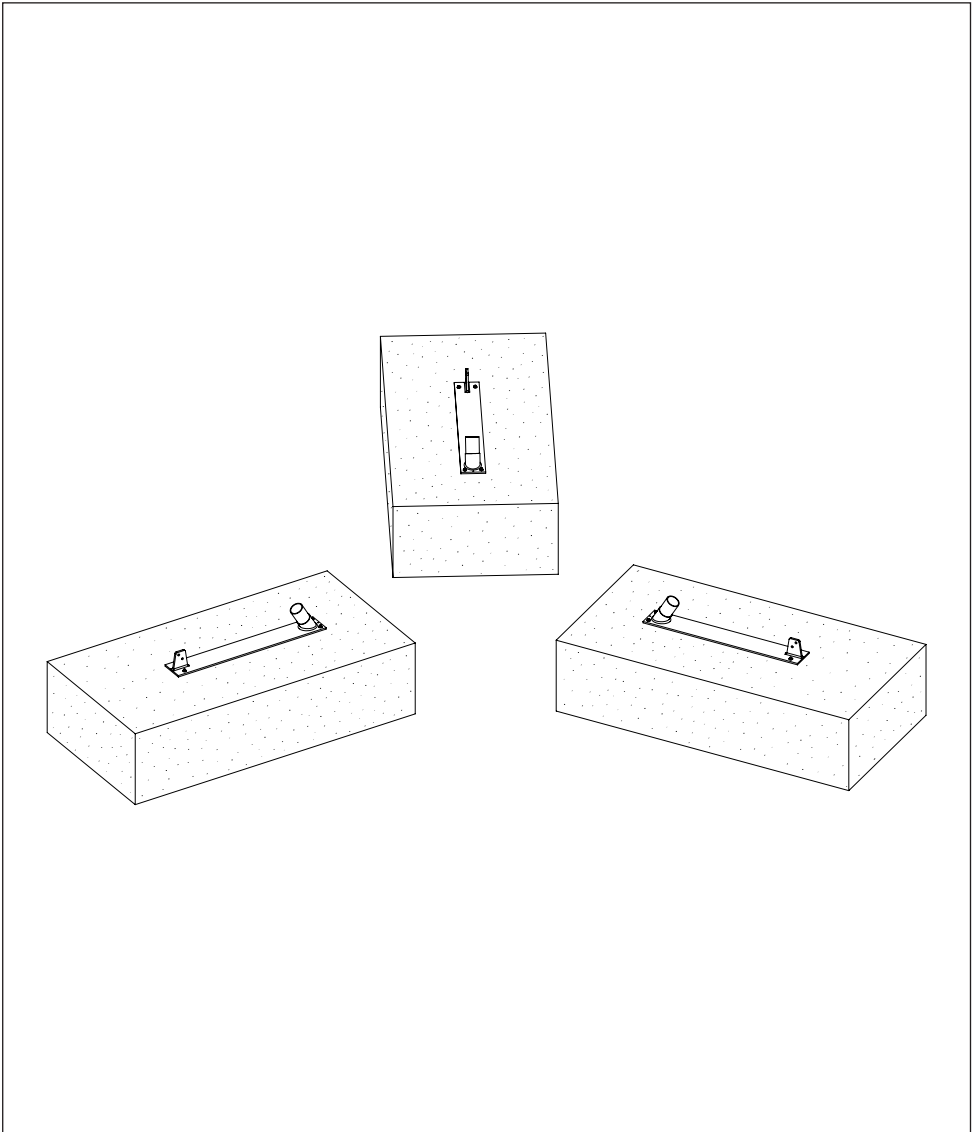
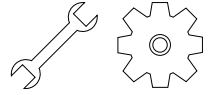
7 x 24h

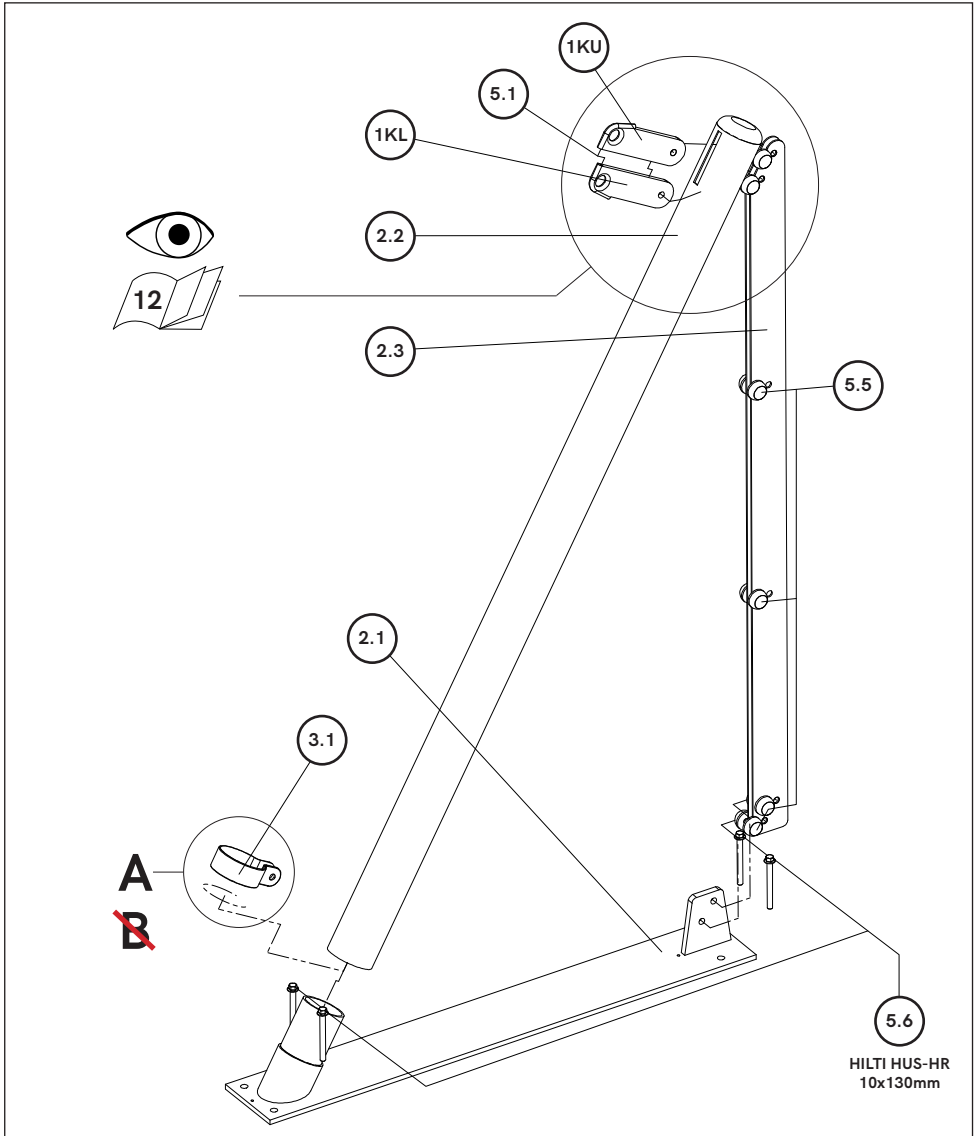
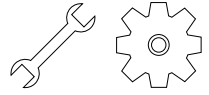


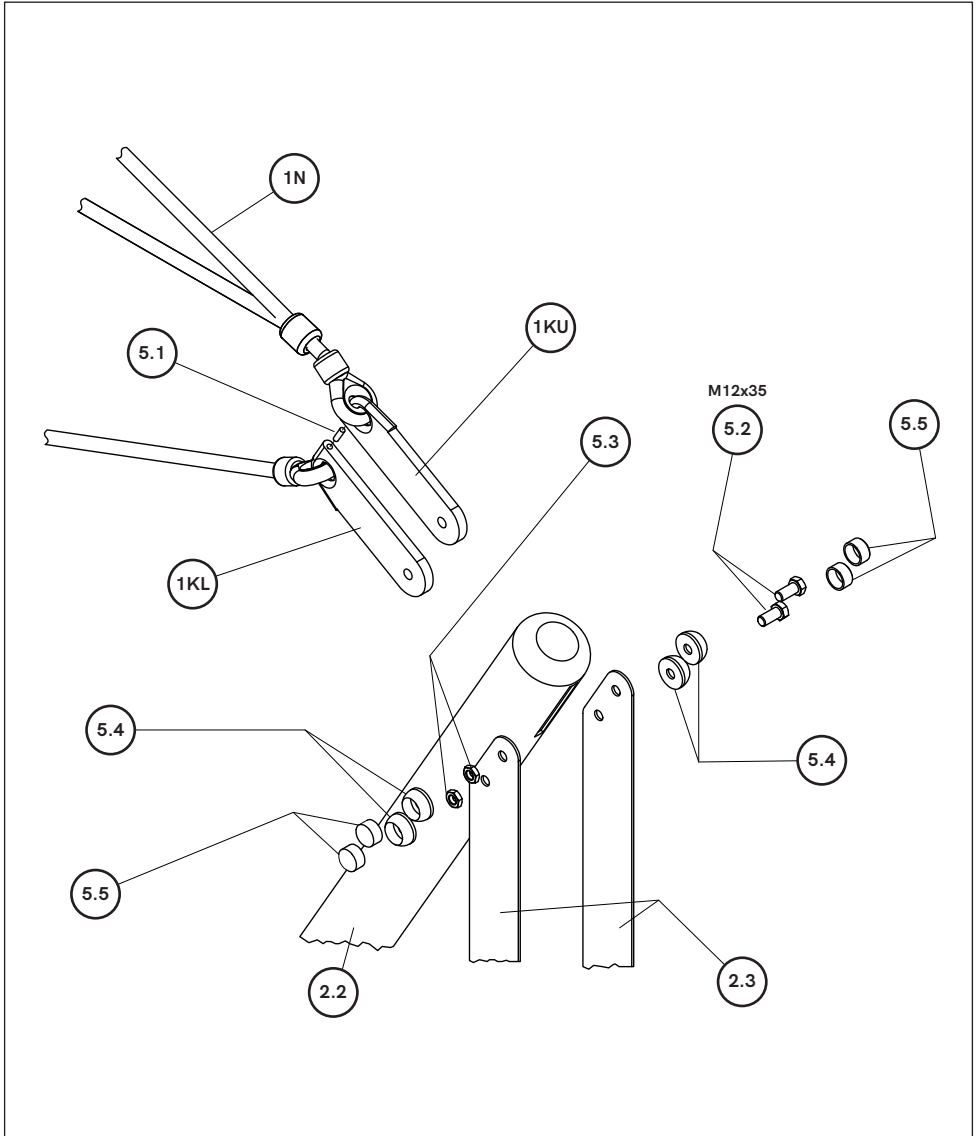
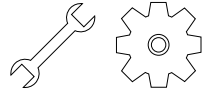




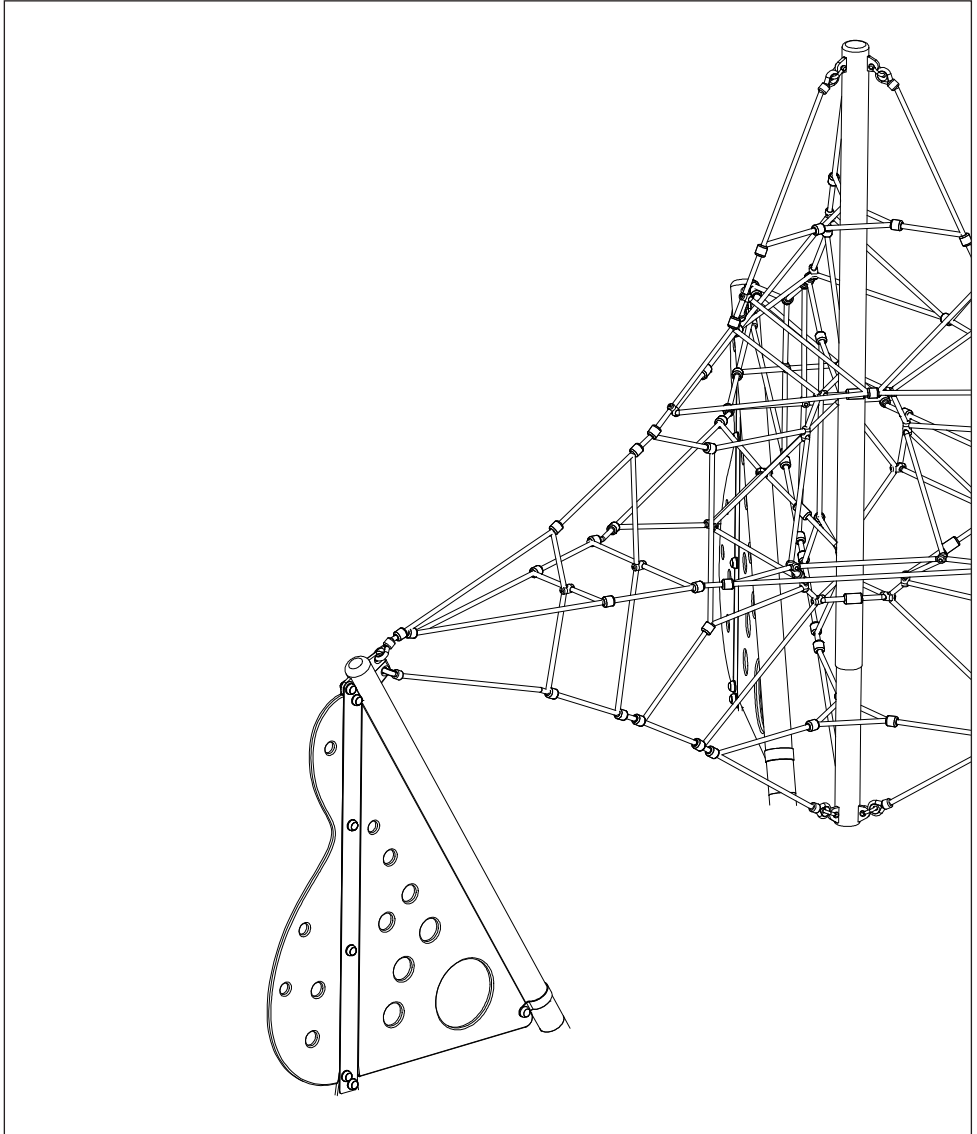
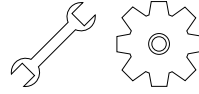


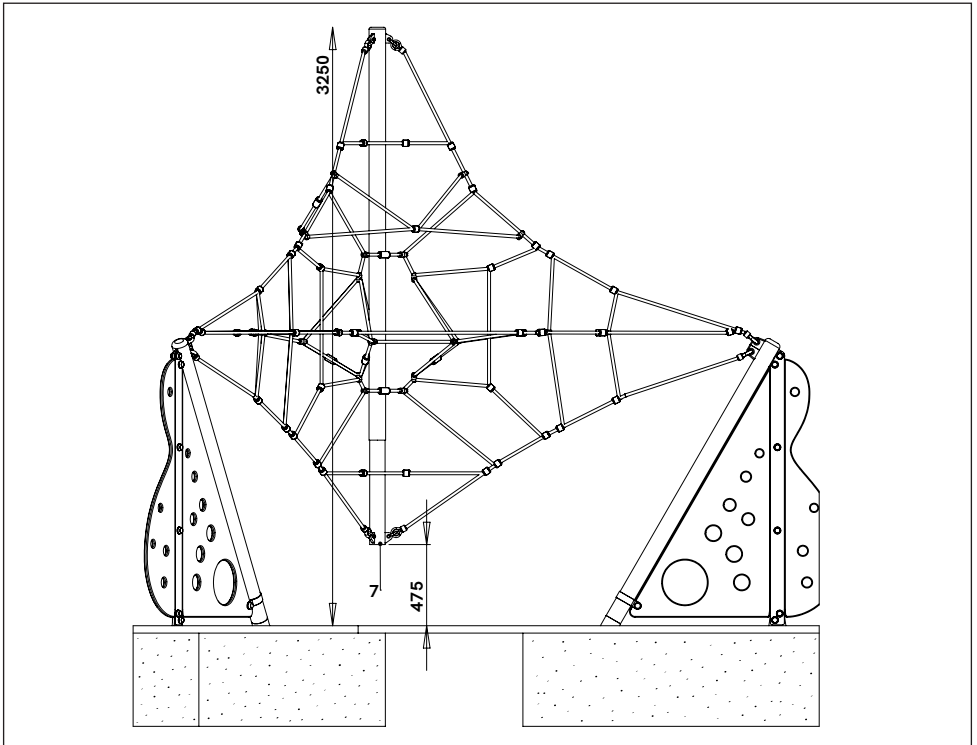
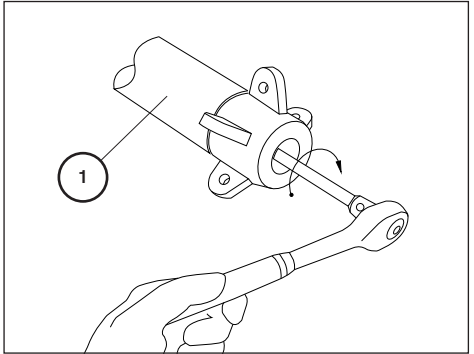
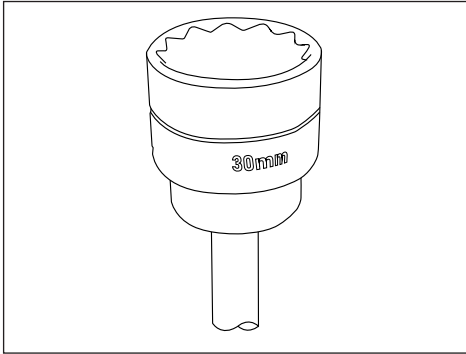


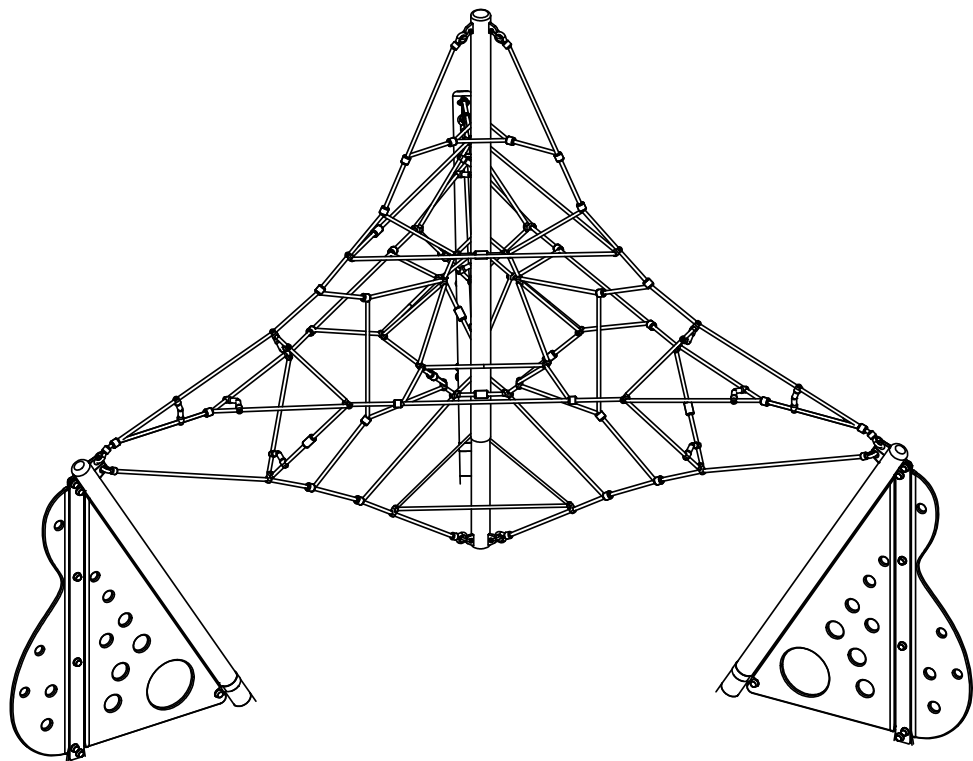




4









## Tayplay Ltd

13A Riverview Business Park  
Friarton Road  
Perth  
PH2 8DF  
Scotland

Tel: +44 (0) 1738 449 084  
Fax: +44 (0) 1738 449 094  
Email: [info@tayplay.com](mailto:info@tayplay.com)  
Web: [www.tayplay.com](http://www.tayplay.com)

